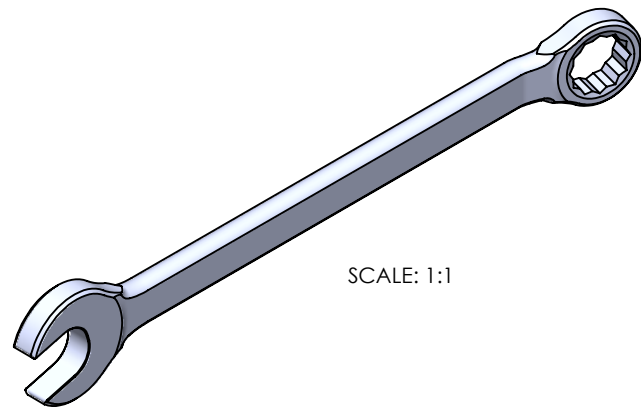


[8.13]
[8.03]
.3199
.3160

[8.13]
[8.03]
.3199
.3160

Ø .515

SECTION A-A
SCALE 2 : 1



SCALE: 1:1

UNLESS OTHERWISE SPECIFIED: DIMENSIONS ARE IN INCHES			TOLERANCES: X.XX= ±0.13 X.XXX= ±0.015 X.XXXX= -0.0015		 The Global Source for Stainless Steel Tools
DRAWN	NAME	SIGN	DATE		
APP'VD	A.T.		05.23.19		TITLE: 8.0MM COMBINATION WRENCH
MATERIAL: 17-4 MAGNETIC S.S.					PART NO. 20038
THIS DRAWING IS THE PROPERTY OF STERITOOL, INC. ANY REPRODUCTIONS OR MODIFICATIONS OF THIS DRAWING OR ITS CONTENTS WITHOUT THE CONSENT OF STERITOOL, INC. IS PROHIBITED.					SCALE: 2:1
					SHEET 1 OF 1
					REV: A